

Visible LED

MT2010A-UG

Applications -

- Color Sensor (Money-Bill)
- Paper Sensor (Money-Bill)
- Bar Code Reader
- Fiber Applications

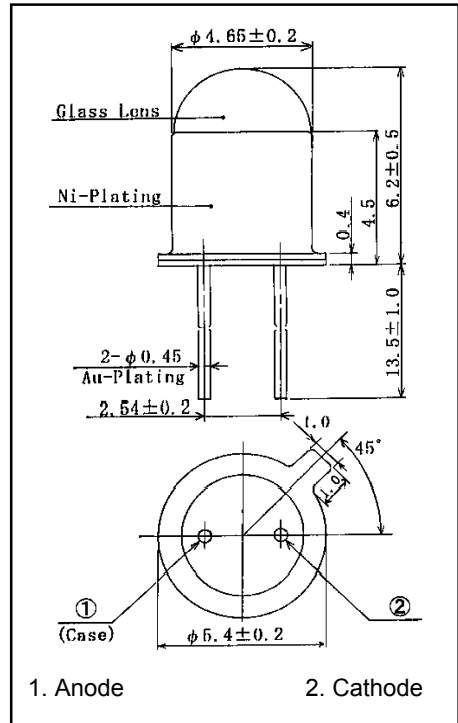
Features -

- Narrow Beam Angle
- High Reliability

MAXIMUM RATINGS (Ta = 25°C)

CHARACTERISTIC	SYMBOL	RATING	UNIT
Forward Current	I_F	50	mA
Pulse IF*	I_{FP}	0.3	A
Reverse Voltage	V_R	5	V
Power Dissipation	P_D	140	mW
Operating Temperature	T_{opr}	-20~85	°C
Storage Temperature	T_{stg}	-30~100	°C
Junction Temperature	T_j	100	°C

*tw=10μS, T=10mS



OPTO-ELECTRICAL CHARACTERISTICS (Ta = 25°C)

CHARACTERISTIC	SYMBOL	TEST CONDITION	MIN.	TYP.	MAX.	UNIT
Power Output	PO	IF = 20mA	—	0.35	—	mW
Forward Voltage	V_F	IF = 20mA	—	2.4	2.8	V
Reverse Current	I_R	VR = 5V	—	—	100	μA
Peak Emission Wavelength	λ_p	IF = 20mA	—	574	—	nm
Spectral Line Half Width	$\Delta\lambda$	IF = 20mA	—	11	—	nm
Beam Angle	θ	—	—	±8	—	°



120 Broadway • Menands, New York 12204

Toll Free: (800) 98-4LEDS • Fax: (518) 432-7454

Visible LED

MT2010A-UG Graphs -

